

# AA 23 Flow indicators

## FLOMETER



### Application

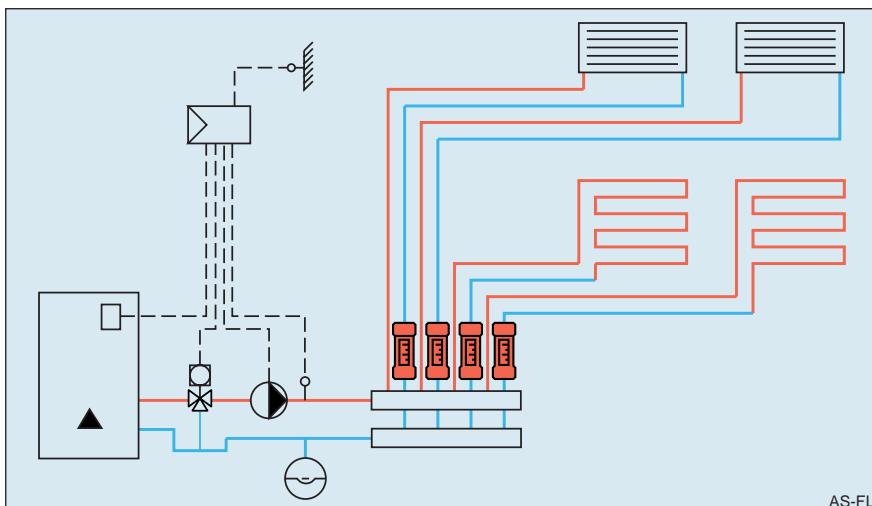
#### Direct visual flow rate indication.

The required flow rate can be set directly in each heating and air-conditioning circuit.

The display of the flow rate allows a precise and easy reading without expensive commissioning equipment.

### Advantages

- Precise and quick indication of the flow rate
- Flow rate displayed directly in l/min
- Can be installed in any position
- With Eurocone hole



### Operation

Measurement of the flow rate can be read on the back edge of the float. Display on a precision scale.

## Technical data

Max. operating temperature  
100 °C

Max. operating pressure  
10 bar

$k_{vs}$ -value  
refer to type program data

Measurement range  
refer to type program data

Valve housing – brass Ms 58  
Sightglass – plastic  
Seals – EPDM

## Fluids

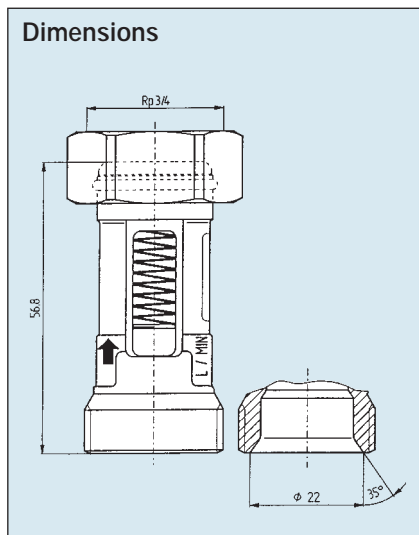
- Water and propriety additives used against corrosion and freezing
- Heating water

## Specification text

Flow rate indicator FLOMETER  
with direct display  
brass Ms 58.

Operating temperature – 100 °C  
Operating pressure – 10 bar

## Dimensions



## Type program flow indicators FLOMETER

with hole dia. 18 mm

(Eurocone) for connections taconova, Heimeier, Herz

Item-no.	DN	Rp x G	Measurement range (l/min)	$k_{vs}$ (m <sup>3</sup> /h)
223.4213.000	15	3/4" x 3/4"	0,6 - 2,4	0,5
223.4214.000	15	3/4" x 3/4"	1 - 4	0,9
223.4218.000	15	3/4" x 3/4"	2 - 8	1,6

