

DSI CorePoint

DSI CorePoint

Temperature measuring system

Save time and energy consumption with the patented DSI CorePoint temperature measuring system for the DSI Vertical Plate Freezers.

Dybvad Stål Industri proudly presents our newly developed system for precise measuring of the core temperature of whatever your DSI Vertical Plate Freezers are processing.

The **DSI CorePoint** kit can be mounted inside any of our vertical plate freezers.

The system consists of a PT100 thermo sensor mounted in a special designed probe that appears from a hole in one of the lifting arms. Only one kit is needed for each freezer.

The **DSI CorePoint** measuring system gives you several advantages:

- Measure the precise core temperature
- Fully control the freezing time
- Guarantee product quality
- Document freezing temperatures
- Increase freezer capacity
- Save energy consumption
- Lower the CO2 emissions
- Easy to install

TECHNICAL INFO: www.dsi-as.com

DSI also produces a wide range of:

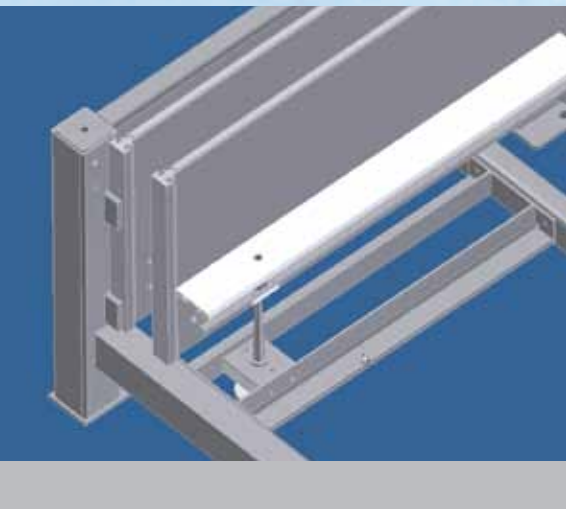
Horizontal plate freezers
Horizontal plate freezers with blast
PFP self-contained horizontal plate-freezers
Automatic plate freezers

PLATE FREEZING
... Worldwide!





DSI CorePoint.



DSI CorePoint.



Control box for each freezer.

The **DSI CorePoint** system gives you full control over the freezing time for each freezer regardless of different inlet temperature of the raw product. When opening the vertical plate freezer and lifting out the frozen blocks the probe will slide out easily and be ready for another job.

The **DSI CorePoint** is to be connected to a central control system, or to a special designed control box on each plate freezer.

The system is patented under **Patent No. PA 2009 00731** and has been tested at different production sites.

DSI CorePoint "Control box"

The control box is manufactured in stainless steel and IP65 sealed. Indication light shows that the preset core temperature has been reached. The indication light can be replaced by an alarm. A control box is to be mounted on each plate freezer having a DSI CorePoint temperature measuring system.

DSI vertical plate freezers are specially designed to freeze different kinds of: Fish - shellfish - meat and meat products - vegetables - fruit and juice-offal for pet food etc.

DSI is well known for its high quality and ergonomic design which secure a correct working position.

DSI is also well known for the following user-friendly features:

- Easy to clean (front bar can be tipped or extra fork lift (option))
- Sealed connections
- Low maintenance costs
- Correct working height for filling and emptying of the freezer

DSI offers the following optional equipment for the vertical plate freezers:

- Block dividers
- Horizontal block dividers
- Human food modification - stainless steel cover plates
- Filling frames
- Liquid-tight freezers for freezing of liquid products
- 3 types of hydraulic systems for connection of a maximum of 12 freezers
- FDA-approved aluminium freezing plates
- Convertible models 26/100 - 32/75 mm . 32/75 - 42/50 mm
- DSI vertical plate freezers can be operated with all known types of refrigerant, such as R22, R717, CO₂, etc. for pumped circulation
- Extra cleaning stroke
- CorePoint temperature measuring system
- Stainless steel options
- Customized solutions



A/S DYBVAD • STÅL • INDUSTRI

Parkvej 5 • DK-9352 Dybvad • Phone: +45 98 86 42 99
Fax: +45 98 86 46 60 • E-mail: dsi@dsi-as.com
www.dsi-as.com